

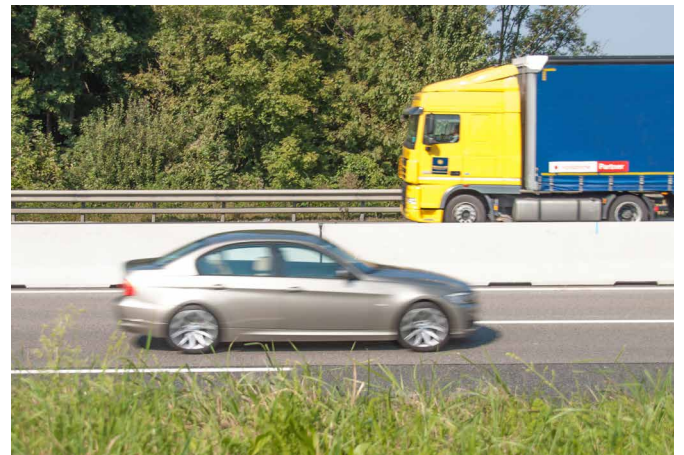
# REBLOC 100\_8

Standard element

Application  
**Permanent system**

Installation  
**Free standing**

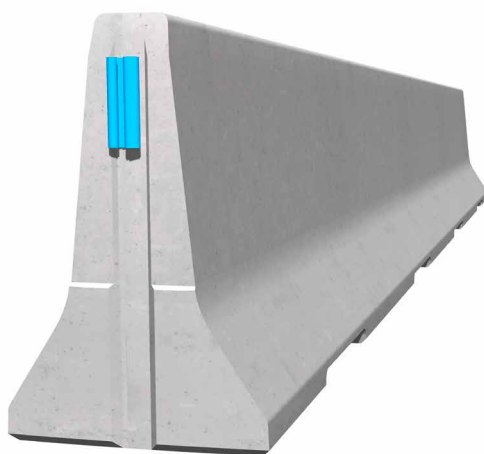
H2	W5
tested according to EN1317-1/2	



Containment level **H2** (covers H1, N1, T3, T2 and T1)  
 Working width **W5** (covers W6, W7 and W8)  
 Impact severity level **ASI B**

## Product features & Advantages

- Modular system for a wide field of applications
- High installation speed in any weather conditions
- Fully vandal proof due to integrated coupling



Permanent precast concrete vehicle restraint systems are used for long lasting protection on the central reservation and along the verge. Vehicles deviating from the road are retained or redirected and prevent a dangerous breakthrough onto the opposite carriageway. As a result road users and persons as well as objects at the roadside are well protected.

The integrated, innovative coupling does not contain any loose parts. This does not only enhance the safety, but also the installation speed. The easy installation, which does not depend on weather conditions, reduces the disruptions of the traffic flow.

Thanks to the interlocking coupling, there are no loose parts, which prevent unauthorized removal of pieces and protects fully against vandalism.

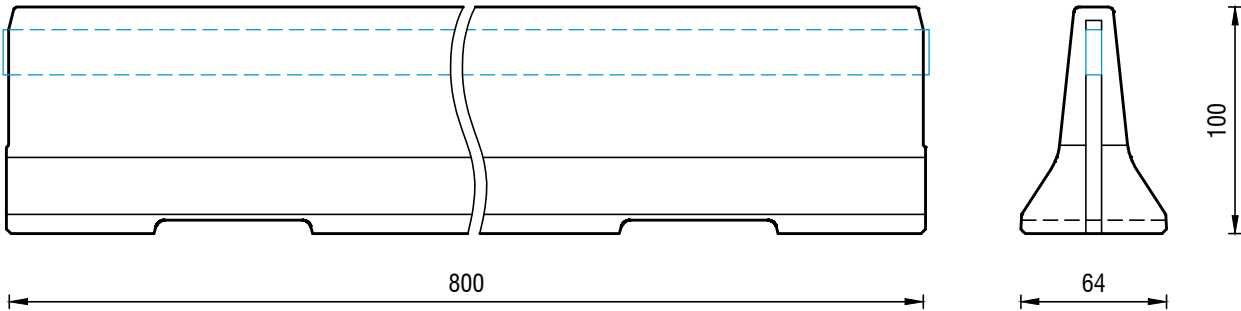
# REBLOC 100\_8

Standard element



tested according to EN1317-1/2

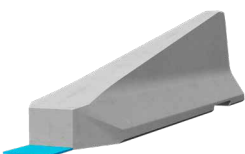
## Technical data



all dimensions in cm

Containment level	H2
Working width	W5
Impact severity level	ASI B
Vehicle intrusion	VI5
Installation	free standing
Terminal elements	required; REBLOC 100_4T (4 x M24 adhesive anchor)
Dimensions L x W x H in cm	800 x 64 x 100 cm
Weight/element	6.000 kg
Elements/truck (24 t)	4 elements
Minimum installation length	104 m (not including terminal elements)
Curve radius	$r \geq 108$ m, smaller radii in combination with REBLOC 100_4, REBLOC 100_3 and REBLOC 100_2
Coupling/exposed steel parts	fully integrated, exposed parts hot-dip galvanized
CE certification	✓

## System element - combinable



Terminal element  
REBLOC 100\_4T  
(inclination 1:5)