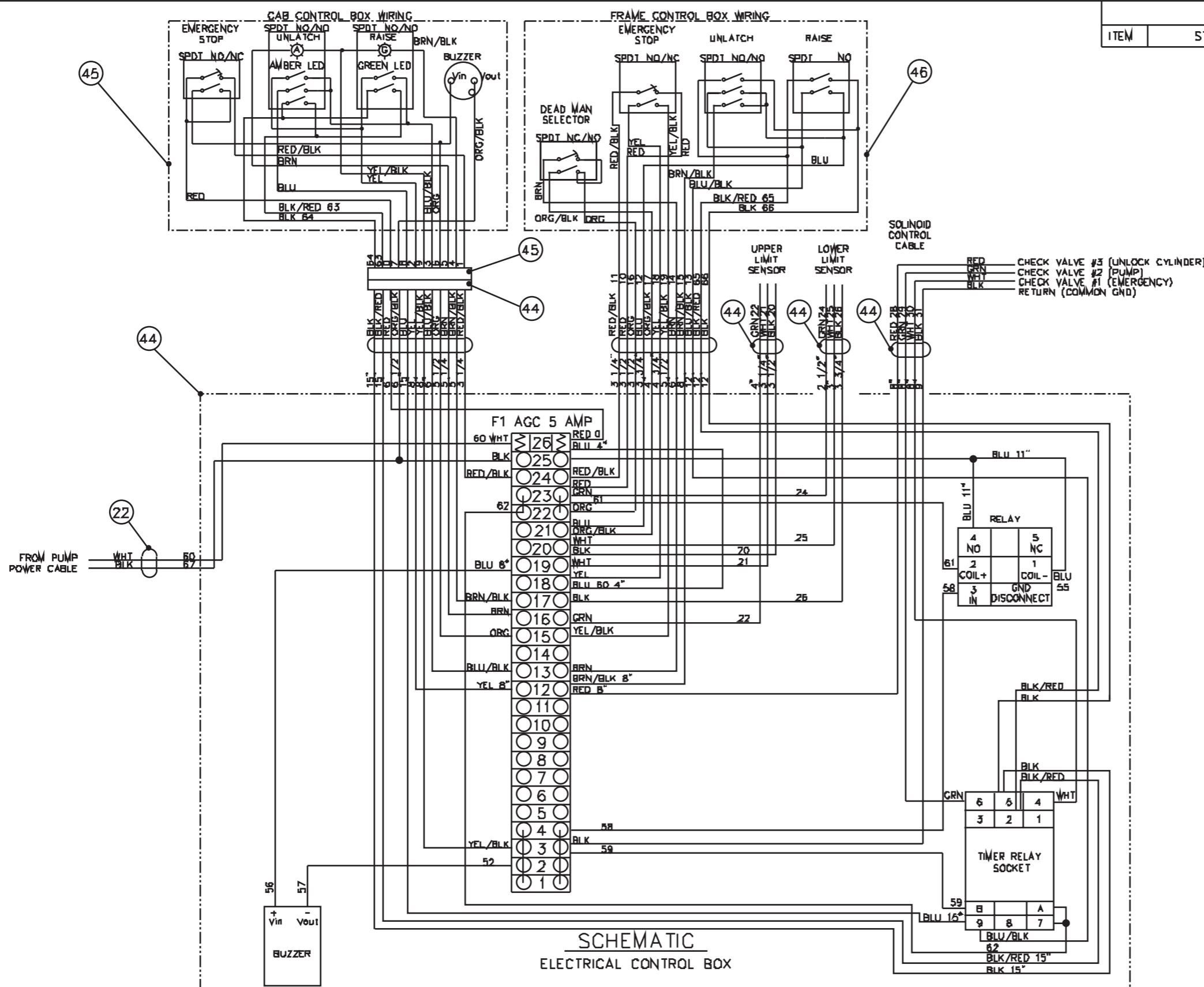


PARTS LIST

ITEM	STOCK NO.	DESCRIPTION	REQ'D
------	-----------	-------------	-------

WIRE CHART

0-9	IN CAB CONTROL
10-19	OUTSIDE CONTROL
20-23	UPPER L.S.W.
24-27	LOWER L.S.W.
28-31	SOLENOID CONTROL
32-38	7 INTER IN
39-45	7 INTER OUT LT
46-52	7 INTER OUT RT
53-62	E.P. INNER WIRING
70-79	IN CAB INNER WIRING
80-89	OUTSIDE BOX INNER WIRING



SCHMATIC
ELECTRICAL CONTROL BOX

REFERENCES

DRAWN: D. MILLER	DATE: 3/25/99
DESIGNED: D.S.Coil	DATE: 4/6/99
CHECKED: KRM	DATE: 5/5/99
APPROVED: SPT	DATE: 5/7/99
CAD FILE: 3524445-2400 SH05	
NEXT ASSEMBLY:	



ENERGY ABSORPTION SYSTEMS, INC.
ENGINEERING AND RESEARCH DEPARTMENT

ASSEMBLY,
HYDRAULIC AND ELECTRICAL
TMA 6190C-24V, INTERNATIONAL

SCALE 1=1	DWG. 3524445-2400	SHEET 5 of 5	REV E
--------------	----------------------	-----------------	----------

Revisions	Date	Rev.	By	Ckd.	App.
CHANGED REV TO MATCH SHEET 2	10/27/99	C	LWC	BB	\\
UPDATE SCHEMATIC FOR NEW TIMER	2/17/00	D	DM	KM	DSC
CORRECT SCHEMATIC WIRE COLORS	3/21/00	E	DM	KM	DSC